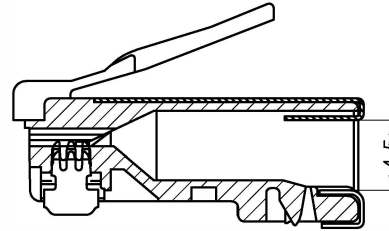
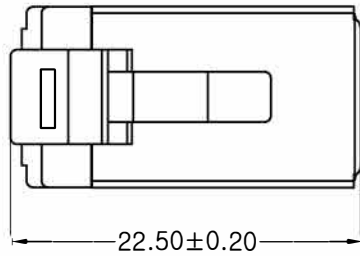


NOTE: ALL MATERIAL COMPLIANT ROHS STANDARD

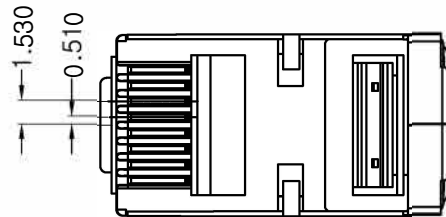
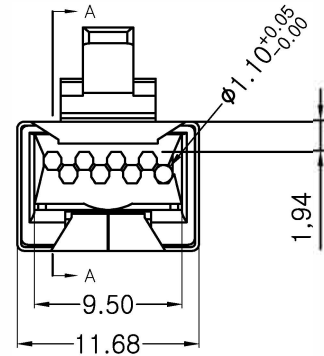
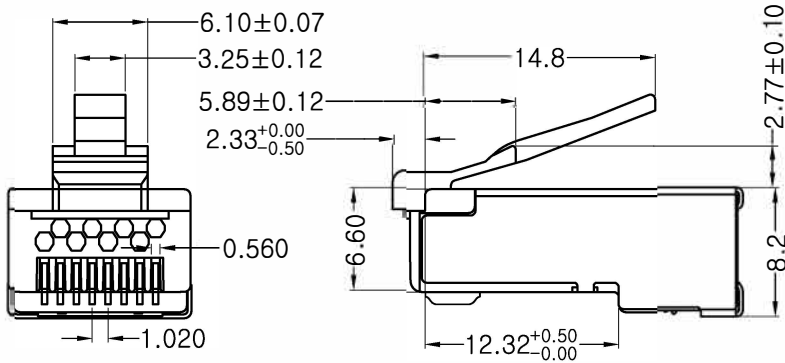
11*1451****

REVISION INFORMATION

Rev.	Rev. Date	Modified By	Brief Description



SECTION A-A



NOTES:

1. Operation Temperature: -40°C ~ +85°C.
2. Electrical Characteristics:
 - 2.1 > Rated Current: 125V AC, 1.5A @ 25°C.
 - 2.2 > Contact Resistance: 20mΩ Max.
 - 2.3 > Insulation Resistance: 500MΩ Min, 100V DC/min.
 - 2.4 > Voltage Proof: 1000V AC/1 minute no breakdown.
3. Mechanical Characteristics:
 - 3.1 > Insertion Force & Withdrawal Force: 30N Max.
 - 3.2 > Durability: 750 cycles Min.
4. Environmental compliance:
 - 4.1 > the products are compliant with the RoHS, and REACH etc.
5. CONDUCTOR: STRANDED & SOLID WIRE, 23AWG, 24AWG. (It can be used for the wire OD from Ø1.05~Ø1.10mm.)

1	Modular Plug	Shell	1PCS	43*20**09	Square hole	Au: G/F" <input type="checkbox"/> 1u" <input type="checkbox"/> 3u" <input type="checkbox"/> Ni: 80u" <input checked="" type="checkbox"/>	Brass <input checked="" type="checkbox"/> Spcc <input type="checkbox"/>	DIMENSIONAL TOLERANCE X.X ±0.20 X.XX ±0.10 X.XXX ±0.05 ANGLE ±2°
		Contacts	8PCS	/	2Prongs <input type="checkbox"/> 3Prongs <input checked="" type="checkbox"/>	G/F" <input type="checkbox"/> 1u" <input type="checkbox"/> 3u" <input type="checkbox"/> 6u" <input type="checkbox"/> 15u" <input type="checkbox"/> 30u" <input type="checkbox"/> 50u" <input checked="" type="checkbox"/> OTHER <input type="checkbox"/>	Brass <input checked="" type="checkbox"/> Phosphor copper <input type="checkbox"/>	
		Housing	1PCS	21*1451**	Cat.6/FTP HOUSING/LONG BODY/4UP AND 4DOWN		94V-2 <input checked="" type="checkbox"/> 94V-0 <input type="checkbox"/>	
NO	NAME	QTY	PART NO.	DESCRIPTION		MATERIAL		

LANshack

Sales@LANshack.com | 888-568-1230

DRAWN BY	DATE 2020.06.16	DESCRIPTION: Easy-Connect RJ45 Cat.6 Shielded plug 2 line 3Prongs 50 Micron
CHECKED BY	SHEET 1 of 3	ITEM NO.: C6-STP-FMP-100
APPROVED BY	SCALE 1:1	REV:00 UNIT:mm